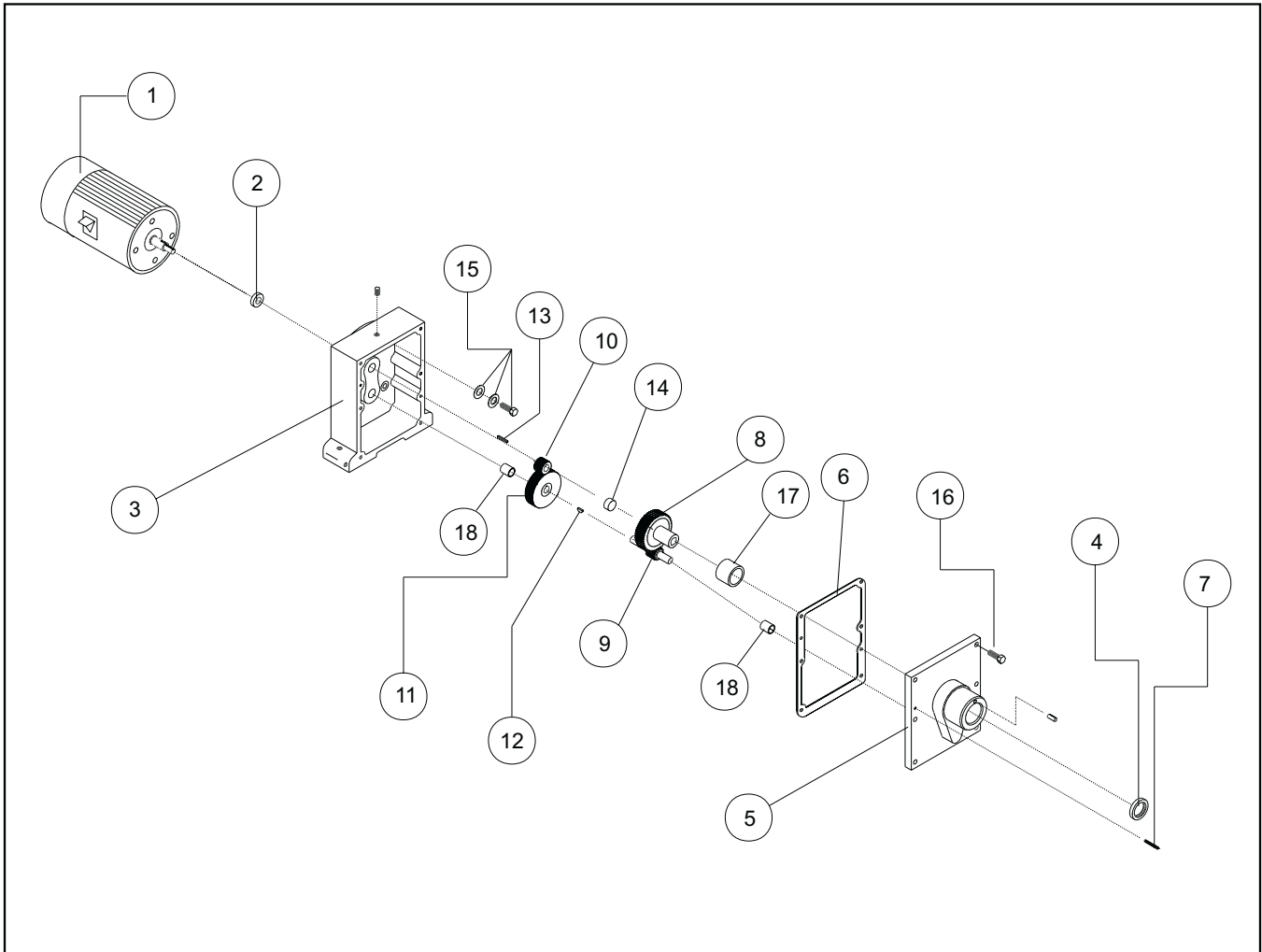




* STARTING FROM SERIAL NUMBER 511.



ITEM	DESCRIPTION	CODE	QTY.	R.S./100
1	1 H.P. MONOPHASE MOTOR (IMPORT.)	05-00175	1	2
1	1 H.P. MONOPHASE MOTOR (NAT.)	05-01307	1	2
2	SEAL 5946	05-00189	1	4
3	GEAR BOX KIT	05-71894	1	2
4	SEAL 12356	05-00188	1	2
5	GEAR COVER KIT	05-71896	1	2
6	GASKET	05-00146	1	4
7	ROLL PIN 3/16"x 1 1/4"	05-00384	2	2
8	* SQUARE GEAR KIT (180 R.P.M.)	05-71898	1	2
9	* DOUBLE ROD GEAR (180 R.P.M.)	05-72180	1	2
10	GEAR (PINION)	05-70193	1	2
11	GEAR (FLAT)	05-70567	1	2
12	WOODRUFF KEY #405-5	05-00296	1	2
13	KEY 3/16"x 3/16" x 3/4"	05-70010	1	2
14	GEAR (SQUARE) CAP	05-00329	1	2
15	BOLT HEX. HEAD 3/8"x 1 1/4" AND WASHERS	05-72720	4	2
16	BOLT HEX. HEAD 5/16"x 1 1/4"	05-00408	6	2
17	BRONZE BUSHING	05-70395	1	4
18	BRONZE BUSHING	05-00131	2	4
19	5/16"x 3/4" S.S. PIN	05-01134	1	2

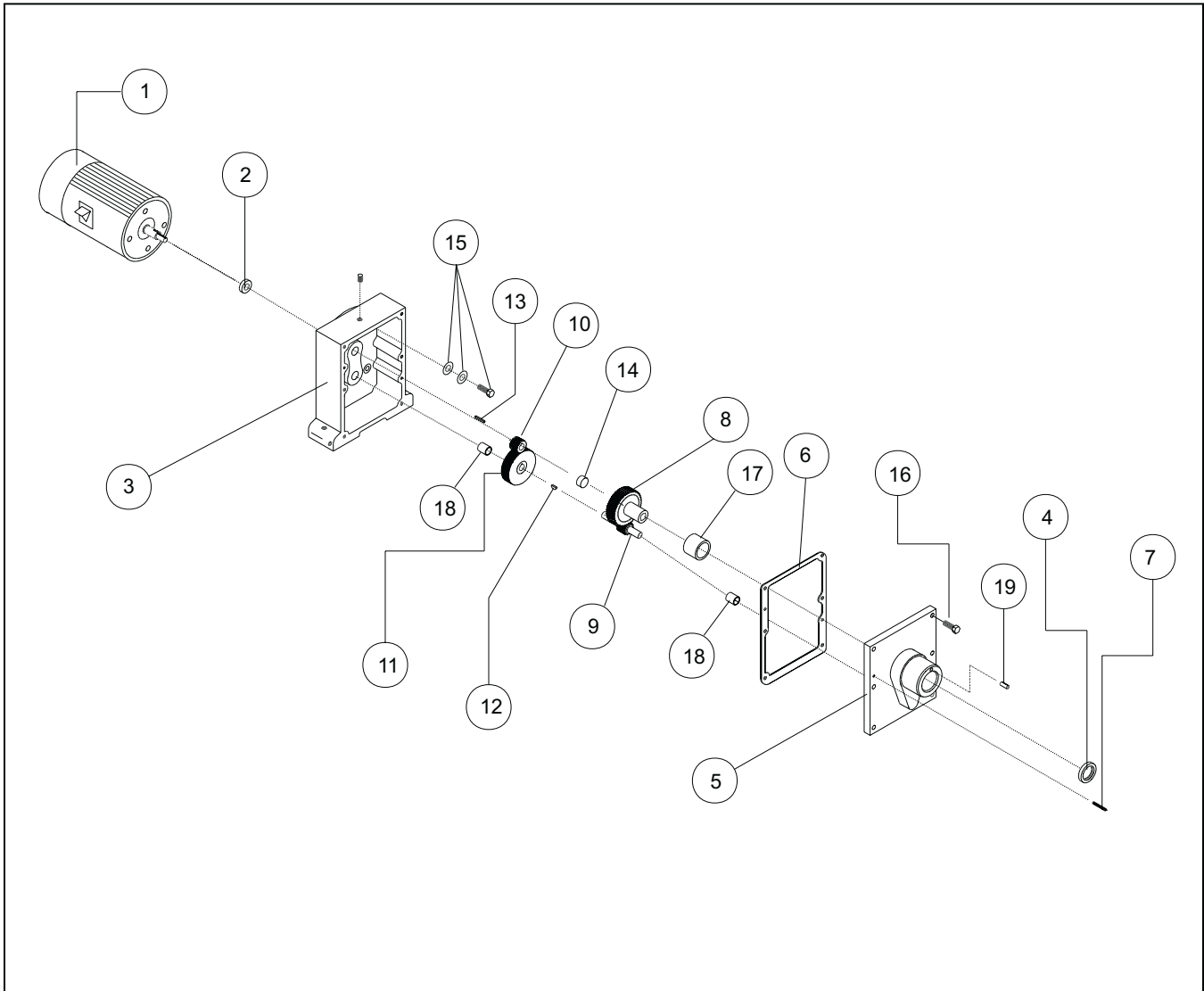
* GEAR KIT M-22R1 180 RPM, INCLUDES ITEMS 8 THROUGH 13.

05-71899 1 1

R.S.= REQUIREMENT STOCK

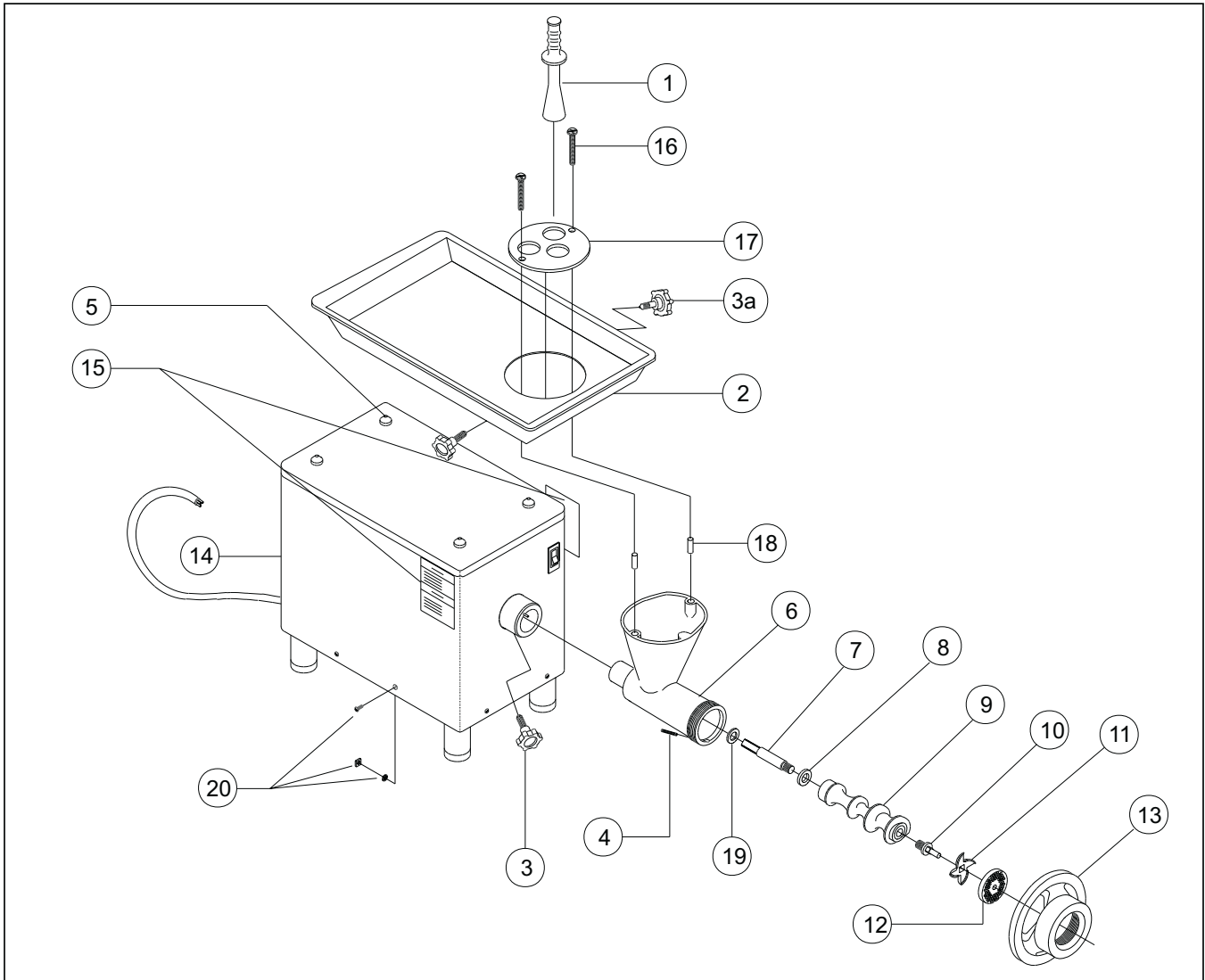


* STARTING FROM SERIAL NUMBER: 1117



ITEM	DESCRIPTION	CODE	QTY.	R.S./100
1	1 H.P. MONOPHASE MOTOR (IMPORT.)	05-00175	1	2
1	1 H.P. MONOPHASE MOTOR (NAT.)	05-01307	1	2
2	SEAL 5946	05-00189	1	4
3	GEAR BOX KIT	05-71894	1	2
4	SEAL 12356	05-00188	1	2
5	GEAR COVER KIT	05-71896	1	2
6	GASKET	05-00146	1	4
* 7	PIN 3/16"x 1 1/4"	05-01588	2	2
8	SQUARE GEAR KIT (180 RPM 60Hz)	05-71898	1	2
8	SQUARE GEAR KIT (180 RPM 50Hz)	05-73227	1	2
9	DOUBLE ROD GEAR (180 RPM 60Hz)	05-72180	1	2
9	DOUBLE ROD GEAR (180 RPM 50Hz)	05-71351	1	2
10	GEAR (PINION)	05-70193	1	2
11	GEAR (FLAT)	05-71162	1	2
12	WOODRUFF KEY #405-5	05-00296	1	2
13	KEY 3/16"x 3/16" x 3/4"	05-70010	1	2
14	GEAR (SQUARE) CAP	05-00329	1	2
15	BOLT HEX. HEAD 3/8"x 1 1/4" AND WASHERS KIT	05-72819	4	2
16	BOLT HEX. HEAD 5/16"x 1 1/4"	05-00408	6	2
17	BRONZE BUSHING	05-70395	1	4
18	BRONZE BUSHING	05-00131	2	4
19	5/16"x 3/4" S.S. PIN	05-01134	1	2
	GEAR KIT (180 R.P.M. 60Hz), INCLUDES ITEMS 8 THROUGH 13.	05-71899	1	1
	GEAR KIT (180 R.P.M. 50Hz), INCLUDES ITEMS 8 THROUGH 13.	05-73224	1	1

R.S.= REQUIREMENT STOCK



ITEM	DESCRIPTION	CODE	QTY.	I.S./100
1	STOMPER	05-01369	1	10
2	TRAY	05-71576	1	2
3	KNOB (AND 3a.)	05-02270	3	2
4	PIN 3/16"x 2 1/16"	05-70228	1	20
5	BUMPER (RUBBER)	05-00330	4	4
6	HEADSTOCK, PIN AND BRONZE WASHER	05-71903	1	2
7	REAR ROD	05-02169	1	2
8	NYLON WASHER	05-00345	1	100
9	FEED SCREW (WORM)	05-70557	1	2
10	FRONT ROD	05-02167	1	10
11	BLADE L.L.	03-32222	1	40
12	PLATE 3/16" S.S.	03-41012	1	20
13	HEADSTOCK RING	05-70383	1	2
14	CASE AND THERMIC-ISOLATING ASSY.	05-71578	1	2
15	WARNING DECAL	05-01259	2	2
16	BOLT FOR SAFETY GUARD (S.S.)	05-71667	2	2
17	SAFETY GUARD	05-71574	1	2
18	SAFETY GUARD SLEEVE	05-71666	2	2
19	BRONZE WASHER	05-70390	1	2
20	SCREW, NUT, AND WASHER 3/16"	05-72224	8	8

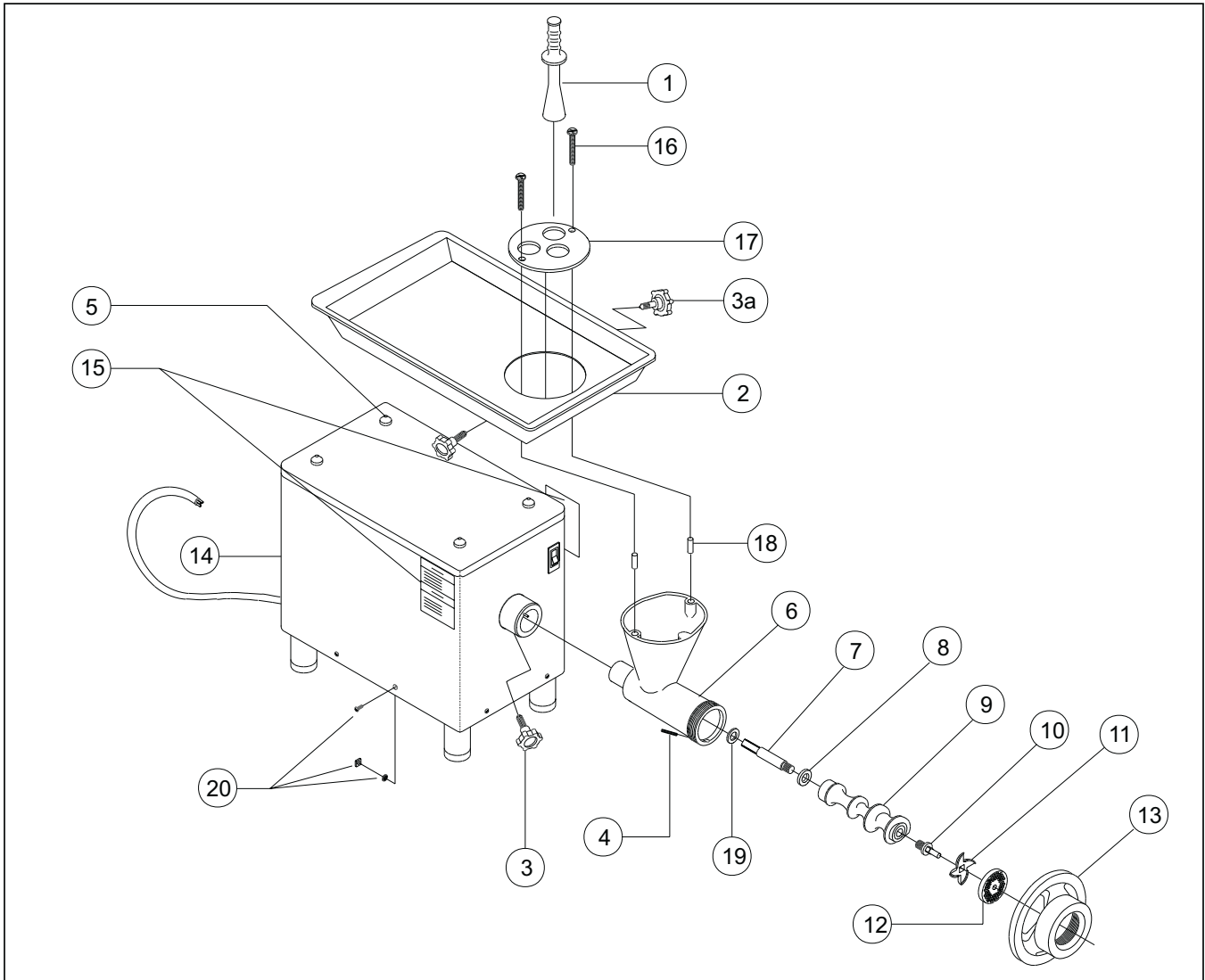
HEADSTOCK KIT, INCLUDES ITEMS 6, 16, 17 AND 18. 05-71906 1 2

FEED SCREW (WORM) KIT INCLUDES ITEMS 7 THROUGH 10. 05-71908 1 10

R.S.= REQUIREMENT STOCK

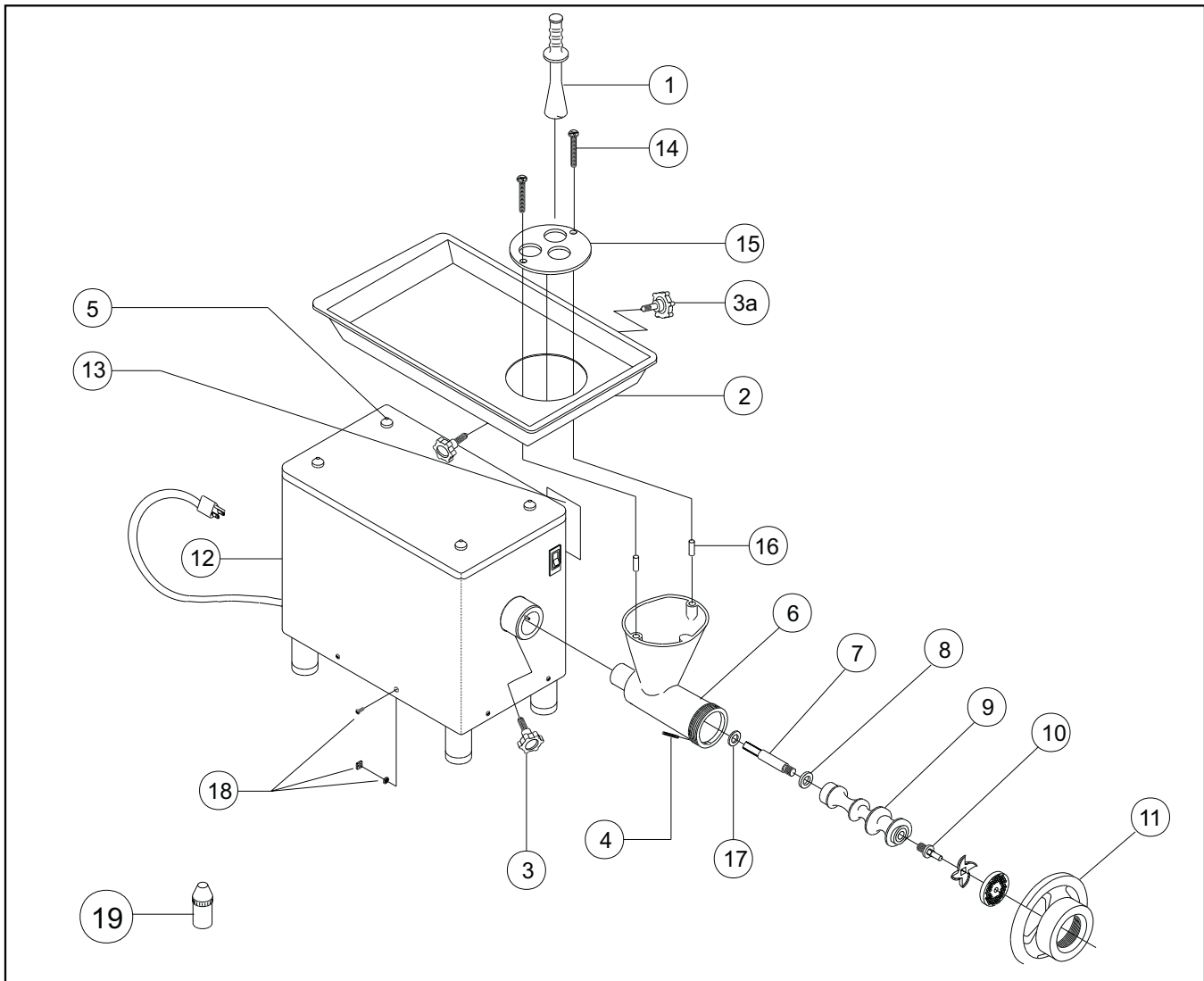


** QTY. (2) STARTING FROM SERIAL NUMBER: 766



ITEM	DESCRIPTION	CODE	QTY.	I.S./100
1	STOMPER	05-01369	1	10
2	TRAY	05-71576	1	2
3	KNOB (AND 3a.)	05-02270	3	2
4	PIN 3/16"x 2 1/16"	05-70228	1	20
5	BUMPER (RUBBER)	05-00330	4	4
6	HEADSTOCK, PIN AND BRONZE WASHER	05-71903	1	2
7	REAR ROD	05-02169	1	2
8	NYLON WASHER	05-00345	1	100
9	FEED SCREW (WORM)	05-70557	1	2
10	FRONT ROD	05-02167	1	10
11	BLADE L.L.	03-32222	1	40
12	PLATE 3/16" S.S.	03-41012	1	20
13	HEADSTOCK RING	05-70383	1	2
14	CASE AND THERMIC-ISOLATING ASSY.	05-71578	1	2
15	WARNING DECAL	05-01259	2	2
** 16	BOLT FOR SAFETY GUARD (S.S.)	05-71667	2	2
17	SAFETY GUARD	05-71574	1	2
** 18	SAFETY GUARD SLEEVE	05-71666	2	2
19	BRONZE WASHER	05-70390	1	2
20	SCREW, NUT, AND WASHER 3/16"	05-72224	8	8
HEADSTOCK KIT, INCLUDES ITEMS 6, 16, 17 AND 18.		05-71906	1	2
FEED SCREW (WORM) KIT INCLUDES ITEMS 7 THROUGH 10.		05-71908	1	10

R.S.= REQUIREMENT STOCK



ITEM	DESCRIPTION	CODE	QTY.	I.S./100
1	STOMPER SOLID	05-01606	1	10
2	TRAY	05-71576	1	2
3	KNOB (AND 3a.)	05-02270	3	2
4	PIN 3/16"x 2 1/16"	05-72272	1	20
5	BUMPER (RUBBER)	05-30330	4	4
6	HEADSTOCK, PIN AND BRONZE WASHER	05-71903	1	2
7	REAR ROD	05-02169	1	2
8	NYLON WASHER	05-00345	1	100
9	FEED SCREW (WORM)	05-70489	1	2
10	FRONT ROD	05-02167	1	10
11	HEADSTOCK RING	05-70383	1	2
12	CASE AND THERMIC-ISOLATING ASSY.	05-71578	1	2
13	WARNING DECAL	05-01259	2	2
14	BOLT FOR SAFETY GUARD (S.S.)	05-71667	2	2
15	SAFETY GUARD	05-71574	1	2
16	SAFETY GUARD SLEEVE	05-70069	2	2
17	BRONZE WASHER	05-70390	1	2
18	SCREW, NUT, AND WASHER 3/16"	05-72224	8	8
19	GREASE FDA APPROVED	05-01572	1	4

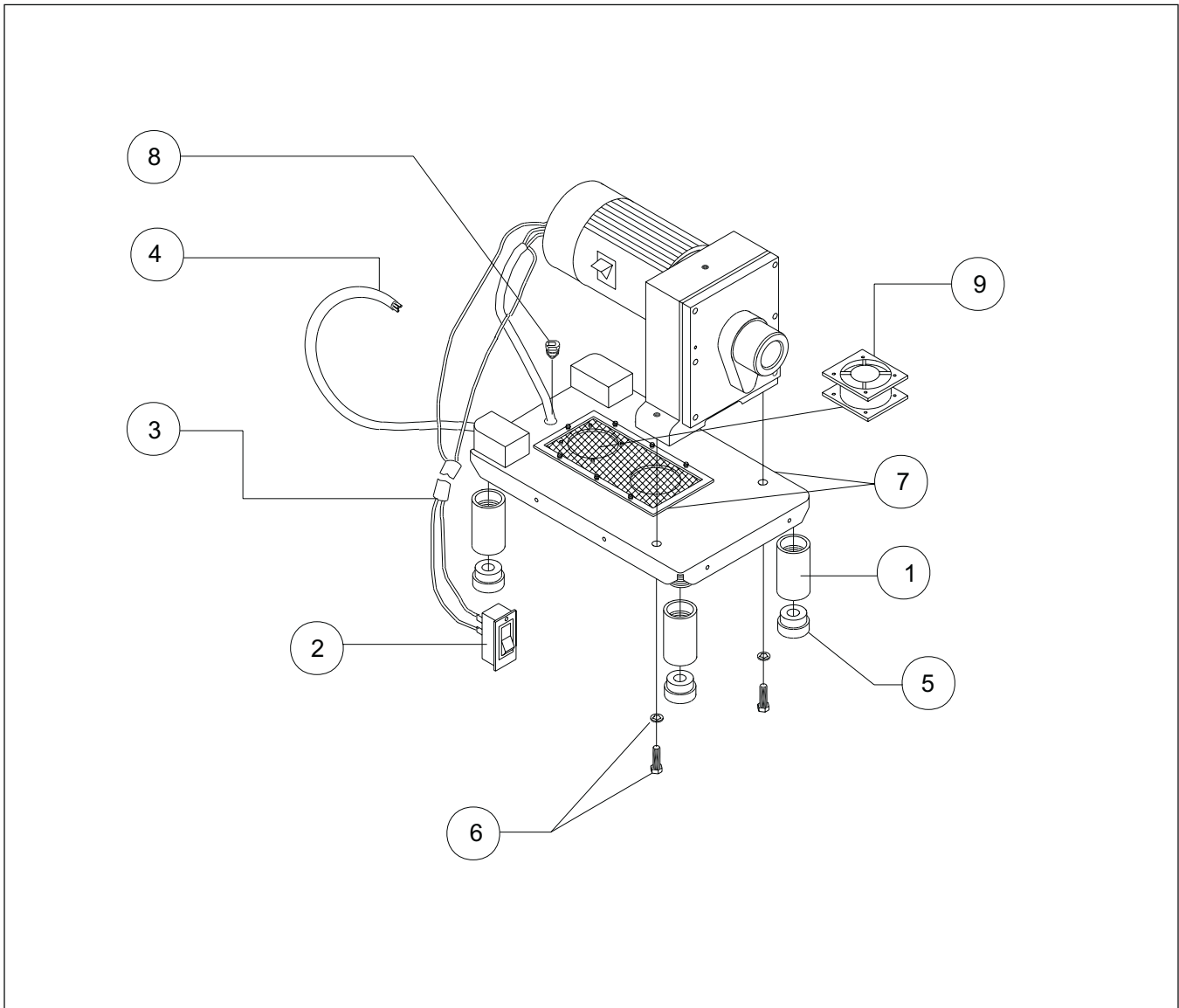
HEADSTOCK KIT, INCLUDES ITEMS 6, 14, 15 AND 16.

05-71906 1 2

FEED SCREW (WORM) KIT INCLUDES ITEMS 7 THROUGH 10.

05-70489 1 10

R.S.= REQUIREMENT STOCK

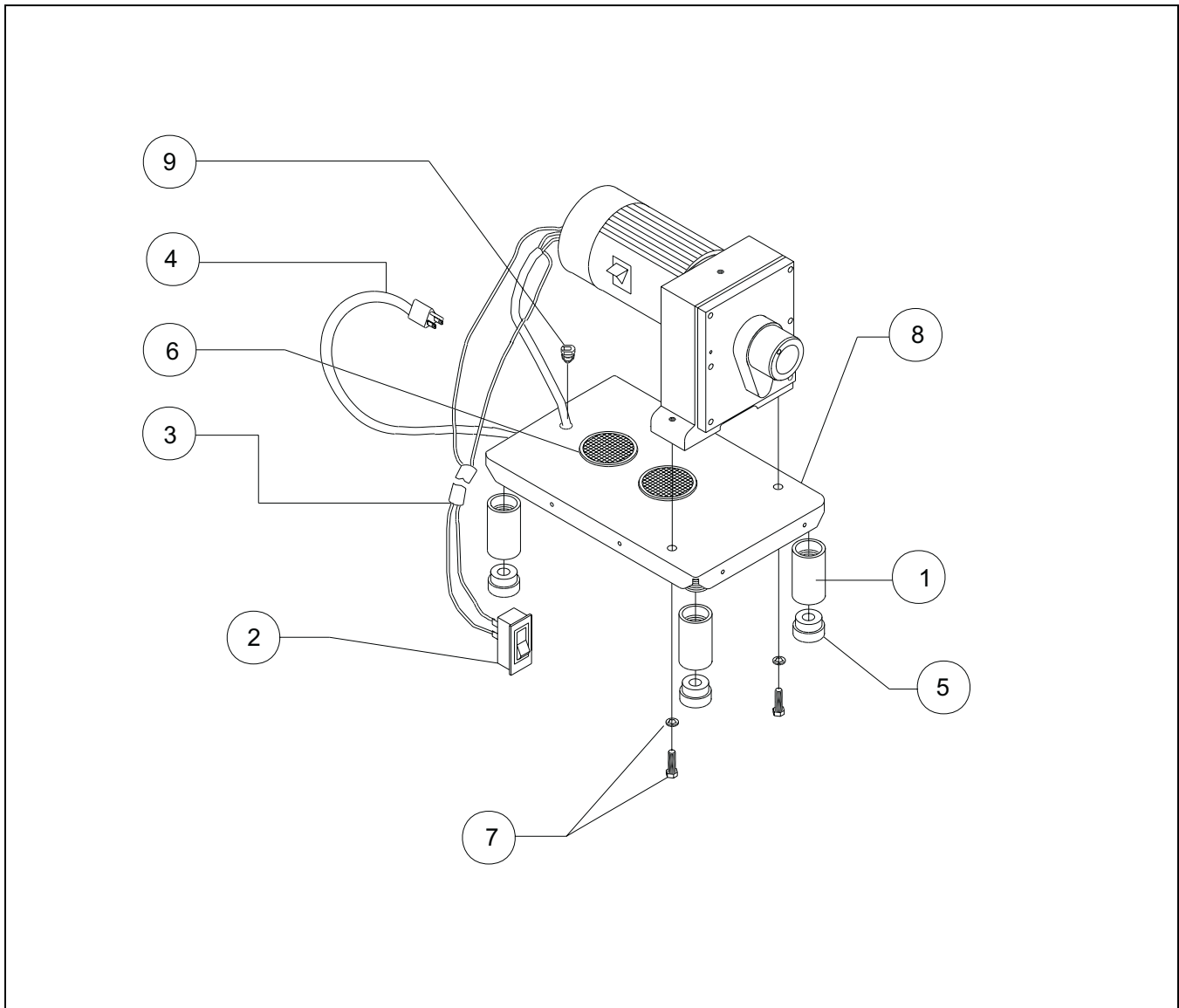


ITEM	DESCRIPTION	CODE	QTY.	R.S./100
1	4 3/4" ALUMINIUM LEG	05-71407	4	2
2	SWITCH 1600H-11E	05-02284	1	4
3	HARNESS CABLE 1331	05-00850	1	2
4	POWER CORD	05-00154	1	2
5	RUBBER PLUG-PAD	05-00333	4	2
6	BOLT HEX. HEAD 7/16"x 1 1/4" AND WASHER	05-71904	2	2
7	BASE ASSY.	05-71755	1	2
8	GROMMET 7P-2	05-00799	1	2
9	FAN	05-01291	1	2

R.S.= REQUIREMENT STOCK



* STARTING FROM SERIAL NUMBER 44,107



ITEM	DESCRIPTION	CODE	QTY.	R.S./100
1	4 3/4" ALUMINIUM LEG	05-71407	4	2
2	* SWITCH # THINGK721-6SBLNBL ON/OFF	05-01802	1	4
3	HARNESS CABLE 1331	05-00850	1	2
4	POWER CORD	05-00154	1	2
5	RUBBER PLUG-PAD	05-00333	4	2
6	BASE LID (PLASTIC)	05-03117	2	2
7	BOLT HEX. HEAD 7/16"x 1 1/4" AND WASHER	05-71904	2	2
8	BASE AND LID (PLASTIC) ASSY.	05-74302	1	2
9	GROMMET 7P-2	05-00799	1	2

USE TRANSMISSION OIL SAE #140 3/4 LT.

R.S.= REQUIREMENT STOCK